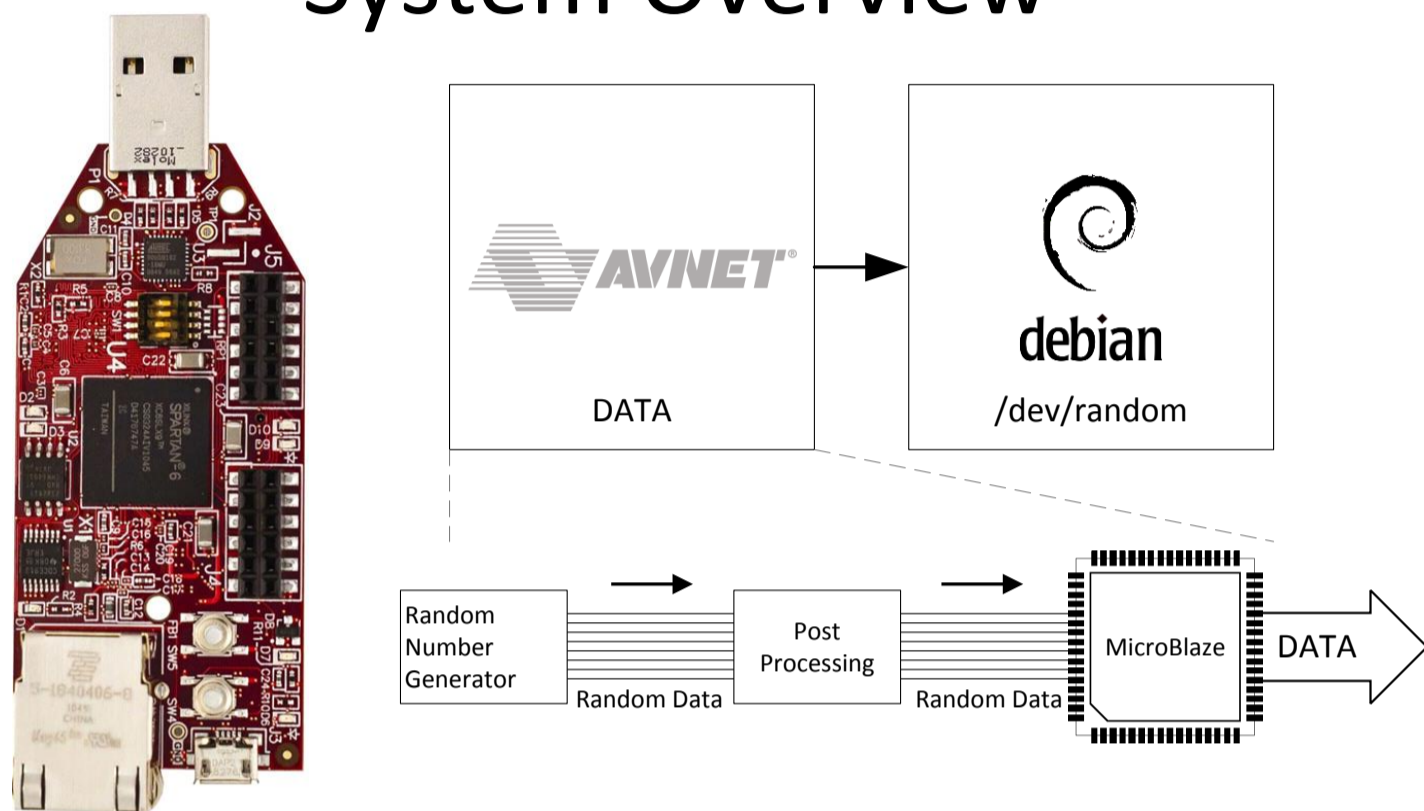


# A Testable True Random Number Generator for Linux Security Applications

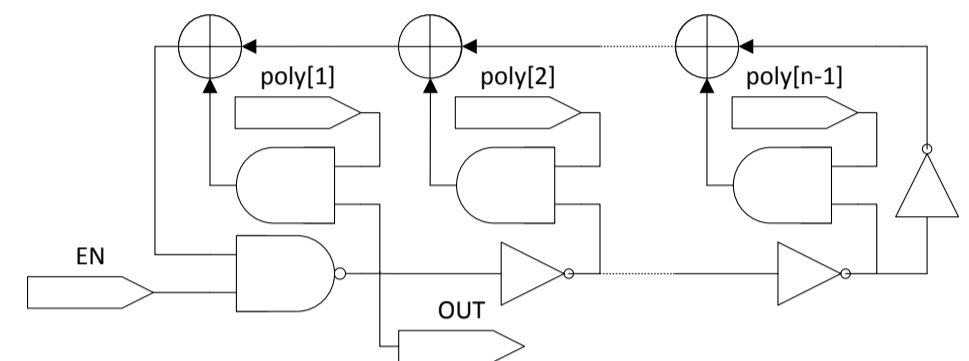
Daniël Wietrzychowski

Master IW elektronica-ICT

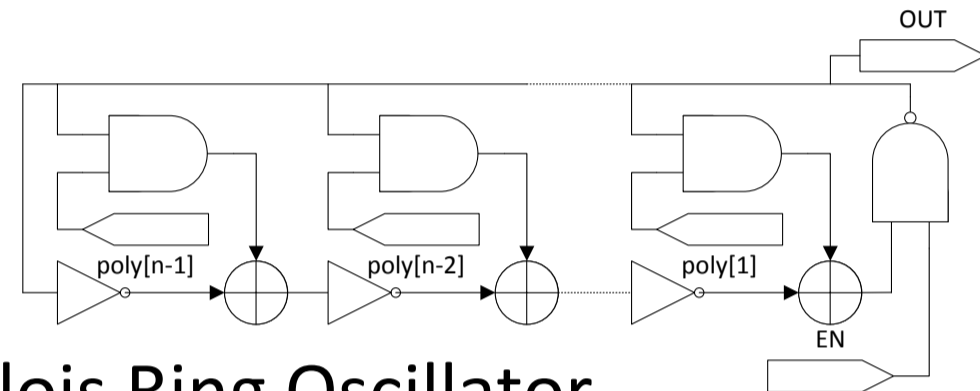
## System Overview



## Fibonacci Ring Oscillator

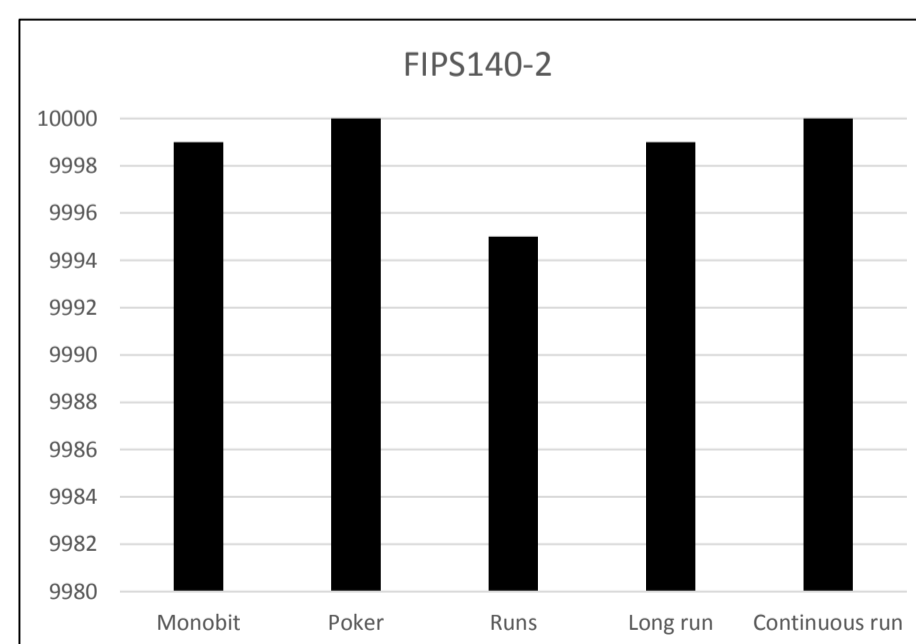
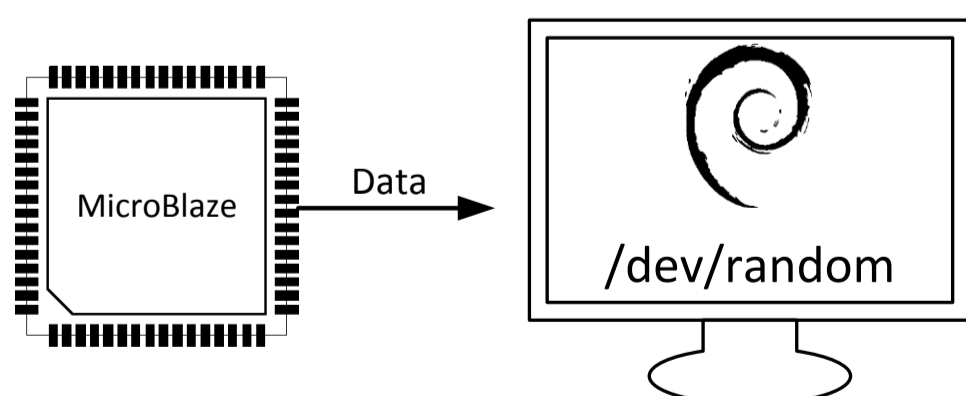


## Galois Ring Oscillator



### Dynamic FIGARO

## Interfacing to Unix



99.93% passed FIPS140-2

Passed  
NIST Statistical Test Suite

Promotoren / Copromotoren: Prof. Dr. Nele Mentens  
Dhr. Bohan Yang